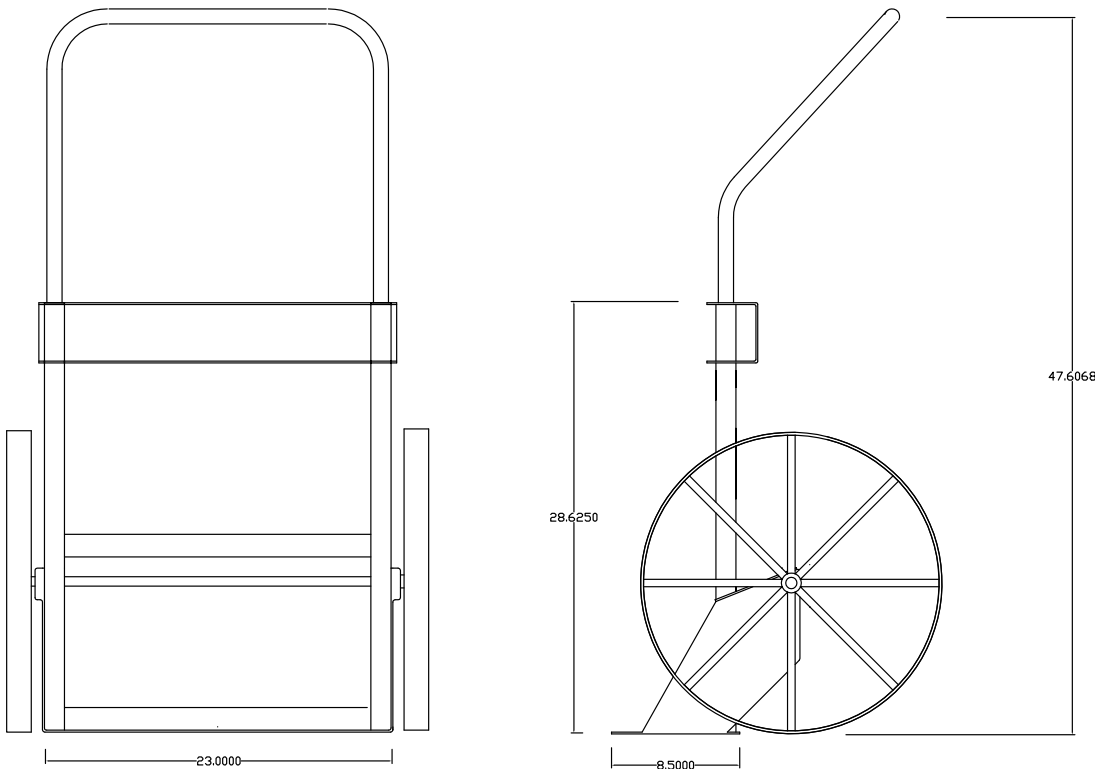


**Two wheel cylinder industrial quality hand truck  
for gas cylinders up to 12.0 inch diameter**

**Designed and built in the USA using American  
steel, labor, assembly, packaging and finishes**

- Configured for two cylinders with 20 inch all steel spoked main wheels for safe, convenient transport of welding, industrial, and commercial use gases
- First Safety hand trucks are exterior grade powder coated for durability
- Specially configured to use with fuel/oxygen bottle combinations
- Constructed from heavy 11 gauge HR Steel with 3/16 inch thick steel supports and round steel tube



- Rated 600 lb. total capacity
- Units are fully welded
- Dimensions: 20"L. x 31.5"W. x 47"H.
- Weight: 65 lbs
- Ships partially assembled via UPS
- Shipping Dimensions: 32" x 32" x 17"
- Shipping Weight (with packaging): 68 lbs